

THIS DRAWING IS UNPUBLISHED. RELEASED FOR PUBLICATION JUL ,2006.

© COPYRIGHT 2006 BY TYCO ELECTRONICS CORPORATION. ALL RIGHTS RESERVED.

LOC	DIST	REVISIONS					
E	B	P	LTR	DESCRIPTION	DATE	DWN	APVD
		B		ECR-06-015596	05JUL06	JMS	FWK

NOTES:

- 1 PACK IN ACCORDANCE WITH AMP SPEC 107-3275
- 2 100 TRAY PACK IN ACCORDANCE WITH AMP SPEC 107-3275
- 3 Ag PLATING
- 4 Ni PLATING
- 5 THIS ITEM MUST BE WHITE

6 ELECTRICAL CHARACTERISTICS

FREQUENCY RANGE:	DC - 4 GHz
NOMINAL IMPEDANCE:	50 Ohm
INSULATION RESISTANCE:	5000 MOhm
WORKING VOLTAGE:	500 Volts RMS at Sea Level
DIELECTRIC WITHSTAND VOLTAGE:	1500 Volts RMS Max
CONTACT RESISTANCE:	
CENTRE CONTACT:	1.50 mOhm Max
OUTER CONTACT:	0.20 mOhm Max
VSWR @ 4GHz:	1.30:1 Max
INSERTION LOSS dB @ x 3 GHz:	0.20 Max

7 MECHANICAL CHARACTERISTICS

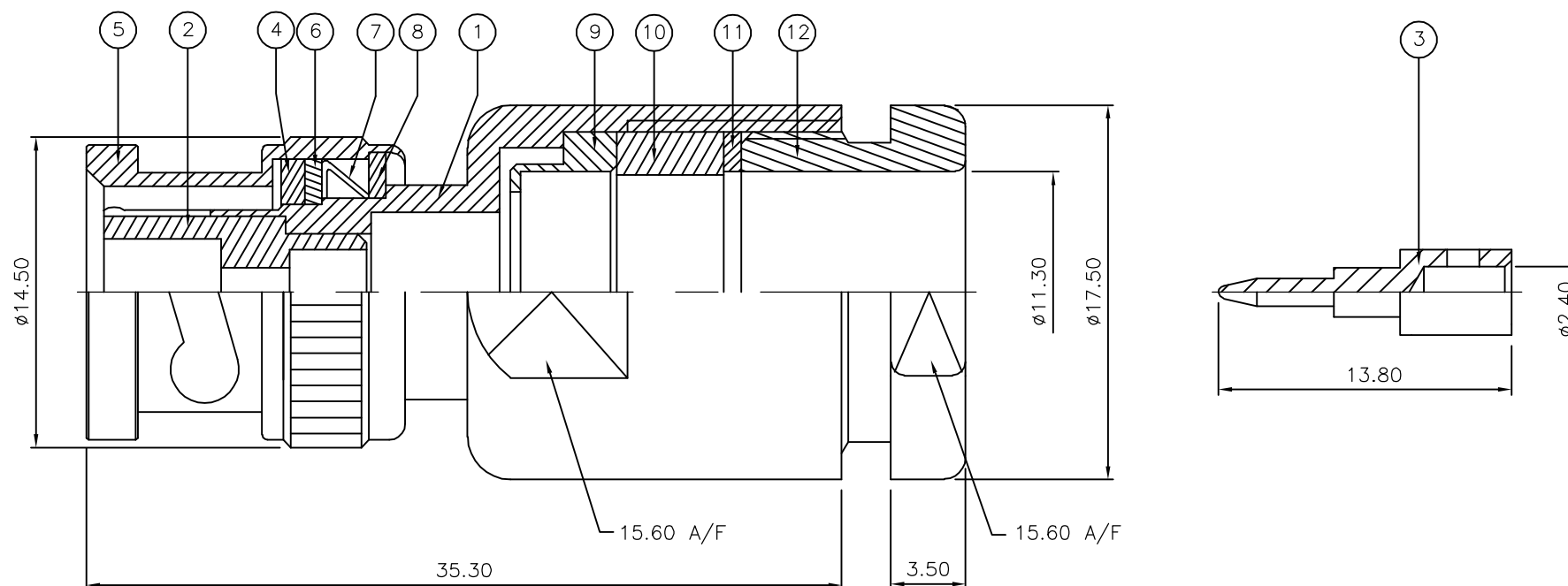
COUPLING NUT RETENTION FORCE:	445N Min
CABLE RETENTION FORCE:	170N Min
CLAMP NUT RECOMMENDED TORQUE:	4.5N
DURABILITY:	500 Cycles Min

8 ENVIRONMENTAL CHARACTERISTICS

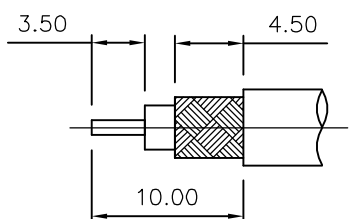
OPERATING TEMPERATURE:	-65 to +165 DegC
------------------------	------------------

9 FOR TECHNICAL DATA REFER TO YOUR LOCAL TYCO ELECTRONICS SALES OFFICE

10 ALL DIMENSIONS ARE NOMINAL FOR REFERENCE ONLY UNLESS OTHERWISE STATED



RECOMMENDED CABLE STRIPPING DIM'S



QTY	QTY	MATERIAL	NOTE	DESCRIPTION	ITEM
1	1	BRASS	3	CLAMP NUT	12
1	1	BRASS	3	WASHER 2	11
1	1	SILICONE RUBBER	5	GASKET	10
1	1	BRASS	3	SLEEVE	9
1	1	BRASS	3	WASHER 1	8
1	1	SPRING STEEL	4	SPRING	7
1	1	BRASS	4	RETAINING RING	6
1	1	BRASS	3	SHELL	5
1	1	SILICONE RUBBER	5	GASKET	4
1	1	BRASS	3	CONTACT	3
1	1	PTFE		INSULATION	2
1	1	BRASS	3	BODY	1
6--0	1--0				

QUANTITY PER ASSY PARTS LIST

THIS DRAWING IS A CONTROLLED DOCUMENT.		DWN	J.SANDWELL	05JUL06	<p>Tyco Electronics Corporation Bideford EX39 4HE</p>														
DIMENSIONS: mm		CHK	S.PARLOW	05JUL06															
TOLERANCES UNLESS OTHERWISE SPECIFIED:		APVD	F.WHEELER-KING	05JUL06															
<table border="0"> <tr><td>0 PLC</td><td>± -</td></tr> <tr><td>1 PLC</td><td>± -</td></tr> <tr><td>2 PLC</td><td>± -</td></tr> <tr><td>3 PLC</td><td>± -</td></tr> <tr><td>4 PLC</td><td>± -</td></tr> <tr><td>ANGLES</td><td>± -</td></tr> <tr><td>FINISH</td><td>± -</td></tr> </table>		0 PLC	± -	1 PLC		± -	2 PLC	± -	3 PLC	± -	4 PLC	± -	ANGLES	± -	FINISH	± -	PRODUCT SPEC	NAME	
0 PLC	± -																		
1 PLC	± -																		
2 PLC	± -																		
3 PLC	± -																		
4 PLC	± -																		
ANGLES	± -																		
FINISH	± -																		
MATERIAL	SEE TABLE	APPLICATION SPEC	411-3252		SIZE	CAGE CODE	DRAWING NO	RESTRICTED TO											
		WEIGHT	-		A3	00779	C-1478136	-											
CUSTOMER DRAWING					SCALE	NTS	SHEET	1 OF 1	REV	B									